

# Analog Devices Welcomes Hittite Microwave Corporation

NO CONTENT ON THE ATTACHED DOCUMENT HAS CHANGED



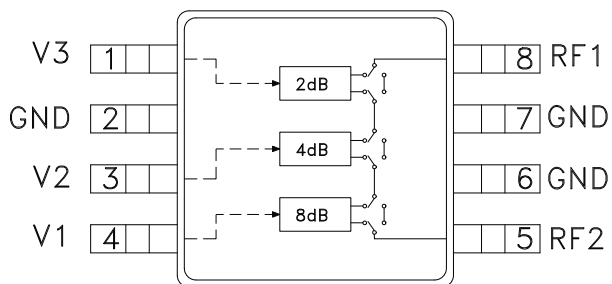
**THIS PAGE INTENTIONALLY LEFT BLANK**

### Typical Applications

The HMC288MS8 / HMC288MS8E is ideal for:

- Cellular
- PCS, ISM, MMDS
- WLL applications

### Functional Diagram



### Features

- 2 dB LSB Steps to 14 dB
- Single Positive Control Per BIT
- Monotonic:  $\pm 0.3$  dB Bit Error Typical
- Miniature MSOP-8 Package, 14.8mm<sup>2</sup>

### General Description

The HMC288MS8 & HMC288MS8E are broadband 3-bit positive control GaAs IC digital attenuators in 8 lead MSOP surface mount plastic packages. Covering 0.7 to 3.7 GHz, the insertion loss is typically less than 1.2 to 1.8 dB. The attenuator bit values are 2 (LSB), 4, and 8 dB for a total attenuation of 14 dB. Accuracy is excellent at  $\pm 0.3$  dB typical with an IIP3 of up to +51 dBm. Three bit control voltage inputs, toggled between 0 and +3 to +5V, are used to select each attenuation state at less than 50 uA each. A single Vdd bias of +3 to +5V applied through an external 5K Ohm resistor is required while occupying less than 14.8 mm<sup>2</sup>.

### Electrical Specifications,

$T_A = +25^\circ \text{C}$ ,  $V_{dd} = +3\text{V to } +5\text{V}$  &  $V_{ctl} = 0/V_{dd}$  (Unless Otherwise Stated)

Parameter	Frequency	Min.	Typical	Max.	Units
Insertion Loss	0.7 - 1.4 GHz		1.0	1.4	dB
	1.4 - 2.3 GHz		1.3	1.7	dB
	2.3 - 2.7 GHz		1.5	2.0	dB
	2.7 - 3.7 GHz		1.7	2.3	dB
Attenuation Range	0.7 - 3.7 GHz		14		dB
Return Loss (RF1 & RF2, All Atten. States)	0.7 - 1.4 GHz	14	17		dB
	1.4 - 2.3 GHz	11	15		dB
	2.3 - 2.7 GHz	10	14		dB
	2.7 - 3.7 GHz	9	12		dB
Attenuation Accuracy: (Referenced to Insertion Loss)	0.7 - 1.4 GHz	$\pm 0.3 + 3\%$ of Atten. Setting Max			dB
	1.4 - 2.3 GHz	$\pm 0.2 + 3\%$ of Atten. Setting Max			dB
	2.3 - 2.7 GHz	$\pm 0.3 + 3\%$ of Atten. Setting Max			dB
	2.7 - 3.7 GHz	$\pm 0.3 + 4\%$ of Atten. Setting Max			dB
Input Power for 0.1 dB Compression	0.7 - 3.7 GHz	5V	25		dBm
		3V	22		dBm
Input Third Order Intercept Point (Two-tone Input Power = 0dBm Each Tone)	0.7 - 3.7 GHz	5V	51		dBm
		3V	47		dBm
Switching Characteristics	0.7 - 3.7 GHz	tRISE, tFALL (10/90% RF)	560		ns
		tON, tOFF (50% CTL to 10/90% RF)	600		ns

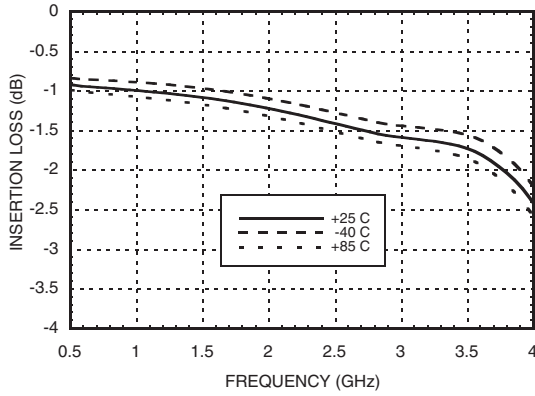
For price, delivery, and to place orders, please contact Hittite Microwave Corporation:  
 20 Alpha Road, Chelmsford, MA 01824 Phone: 978-250-3343 Fax: 978-250-3373  
 Order On-line at [www.hittite.com](http://www.hittite.com)



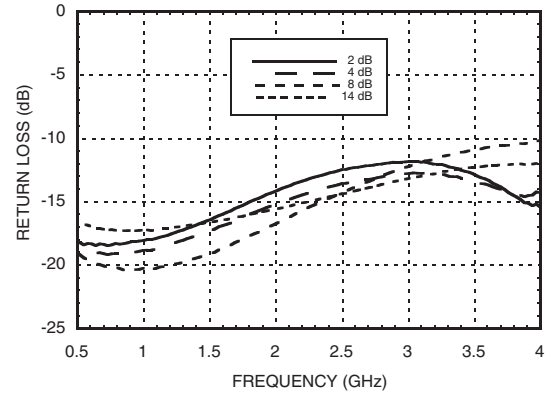
# HMC288MS8 / 288MS8E

## 2 dB LSB GaAs MMIC 3-BIT DIGITAL ATTENUATOR, 0.7 - 3.7 GHz

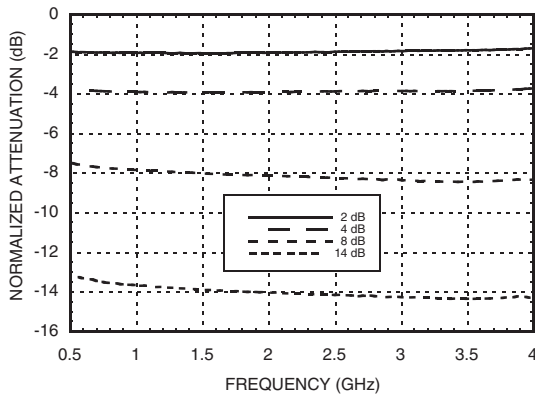
**Insertion Loss**



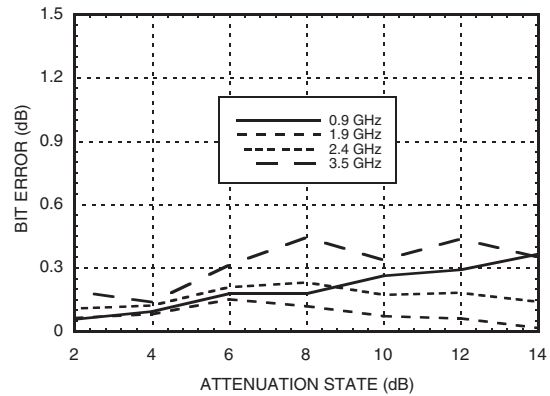
**Return Loss RF1, RF2**  
(Only Major States are Shown)



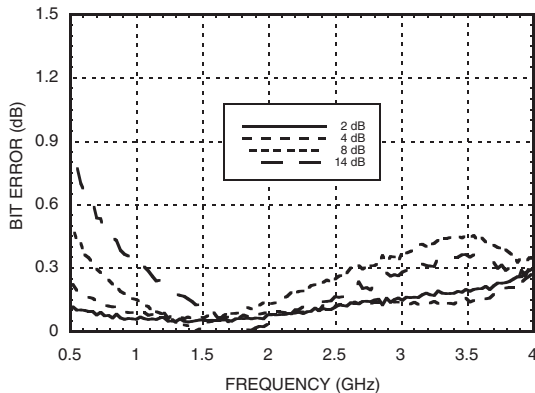
**Normalized Attenuation**  
(Only Major States are Shown)



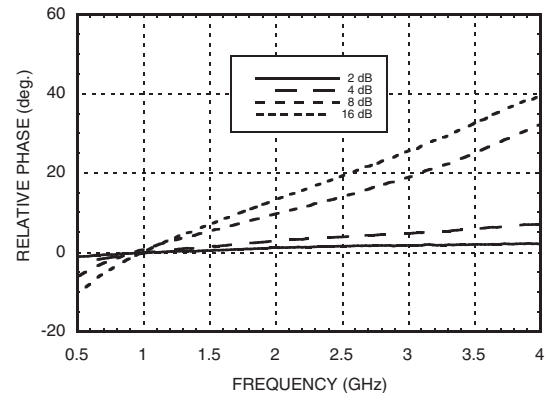
**Absolute Bit Error vs. Attenuation State**



**Absolute Bit Error vs. Frequency**  
(Only Major States are Shown)



**Relative Phase vs. Frequency**  
(Only Major States are Shown)



Note: All Data Typical Over Voltage (+3V to +5V) & Temperature (-40 to +85 deg. C.).

For price, delivery, and to place orders, please contact Hittite Microwave Corporation:  
20 Alpha Road, Chelmsford, MA 01824 Phone: 978-250-3343 Fax: 978-250-3373  
Order On-line at [www.hittite.com](http://www.hittite.com)

**Truth Table**

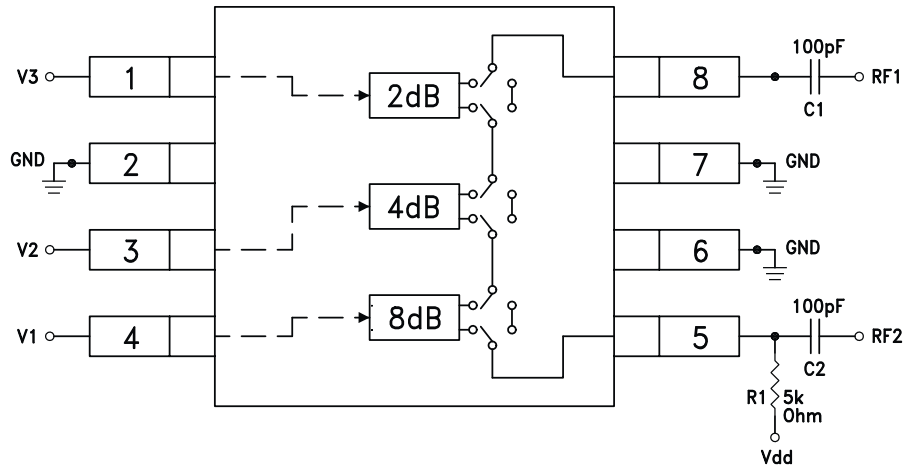
Control Voltage Input			Attenuation Setting RF1 - RF2
V1 8 dB	V2 4 dB	V3 2 dB	
High	High	High	Reference I.L.
High	High	Low	2 dB
High	Low	High	4 dB
Low	High	High	8 dB
Low	Low	Low	14 dB Max. Atten.

Any combination of the above states will provide an attenuation approximately equal to the sum of the bits selected.

**Control & Bias Voltages**

State	Bias Condition
Low	0 to +0.2V @ 20 uA Max.
High	Vdd ± 0.2V @ 50 uA Max

Note: Vdd = +3V to 5V ± 0.2V

**Application Circuit**


DC blocking capacitors C1 & C2 are required on RF1 & RF2. Choose C1 = C2 = 100 ~ 300 pF to allow lowest customer specific frequency to pass with minimal loss. R1 = 5K Ohm is required to supply voltage to the circuit through either PIN 5 or PIN 8.



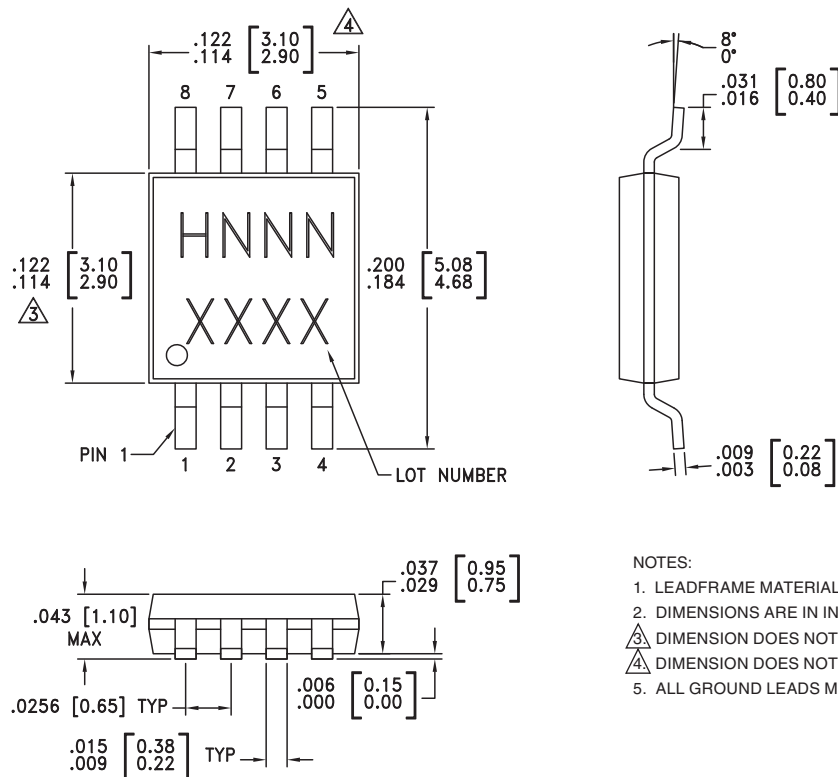
### Absolute Maximum Ratings

Control Voltage (V1, V2, V3)	Vdd + 0.5 Vdc
Bias Voltage (Vdd)	+8.0 Vdc
Storage Temperature	-65 to +150 °C
Operating Temperature	-40 to +85 °C
RF Input Power (0.7 - 4 GHz)	+28 dBm



ELECTROSTATIC SENSITIVE DEVICE  
OBSERVE HANDLING PRECAUTIONS

### Outline Drawing



### Package Information

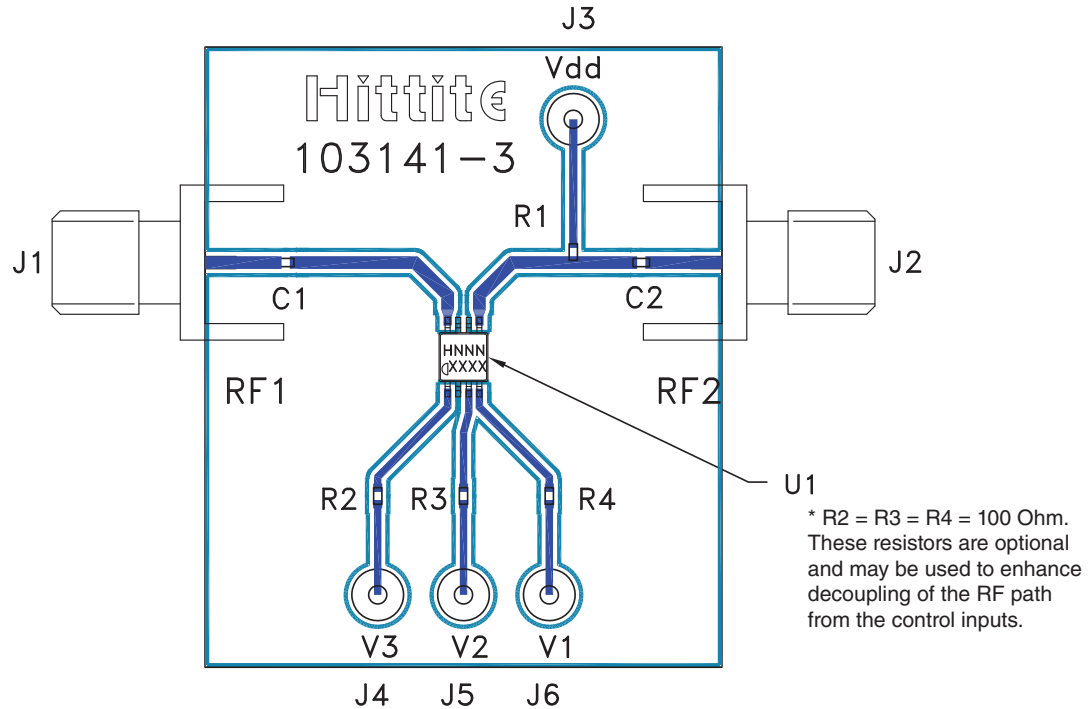
Part Number	Package Body Material	Lead Finish	MSL Rating	Package Marking <sup>[3]</sup>
HMC288MS8	Low Stress Injection Molded Plastic	Sn/Pb Solder	MSL1 <sup>[1]</sup>	H288 XXXX
HMC288MS8E	RoHS-compliant Low Stress Injection Molded Plastic	100% matte Sn	MSL1 <sup>[2]</sup>	H288 XXXX

[1] Max peak reflow temperature of 235 °C

[2] Max peak reflow temperature of 260 °C

[3] 4-Digit lot number XXXX

### Evaluation Circuit Board



### List of Materials for Evaluation PCB 103143 [1]

Item	Description
J1 - J2	PCB Mount SMA Connector
J3 - J6	DC Pin
R1	5k Ohm Resistor, 0402 Chip
R2, R3, R4	100 Ohm Resistor, 0402 Chip
C1, C2	0402 Chip Capacitor, Select for Lowest Frequency of Operation
U1	HMC288MS8 / HMC288MS8E Digital Attenuator
PCB [2]	103141 Evaluation PCB 1.5" x 1.5"

[1] Reference this number when ordering complete evaluation PCB

[2] Circuit Board Material: Rogers 4350

The circuit board used in the final application should use RF circuit design techniques. Signal lines should have 50 ohm impedance while the package ground leads should be connected directly to the ground plane similar to that shown. A sufficient number of via holes should be used to connect the top and bottom ground planes. The evaluation circuit board as shown is available from Hittite Microwave Corporation upon request.



v01.0705



## HMC288MS8 / 288MS8E

**2 dB LSB GaAs MMIC 3-BIT DIGITAL  
ATTENUATOR, 0.7 - 3.7 GHz**

**Notes:**

5

ATTENUATORS - SMT